



WISE TELEMETRY

The Elite Series Communication Box

The Elite series communication box is capable of accepting up to four 4-20mA analog sensors and communicating their readings via Wi-Fi, 3G, or LTE-M networks.

The communication box can be powered by a solar panel, 3x AA batteries, or AC wall power.

Depending on the method of power supply, readings can be sent up to 24 times per day.

These readings can then be viewed on Wise Telemetry's intuitive web dashboard. The communication box's housing is made of durable polycarbonate. An optional display screen (shown in the image above) is available. Mounting hardware is also available.

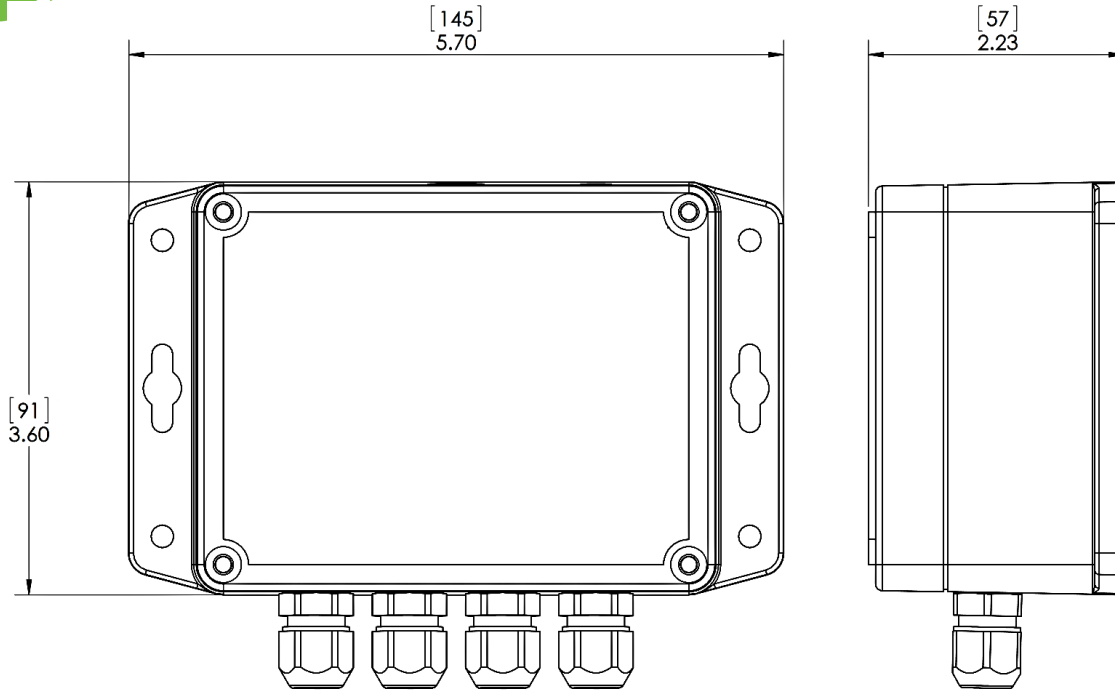


General Specifications

- Applicable gases.....N₂, CO₂, He, Ar, O₂
- Alert threshold.....Customizable
- Power options.....Solar, 3x AA, or AC Wall Power
- 3x AA battery powered reading frequency.....1x Daily
- Solar or AC wall powered reading frequency.....24x Daily
- Communication style.....Wi-Fi, 3G or LTE-M
- Housing material.....Polycarbonate
- Enclosure ratings.....IP65

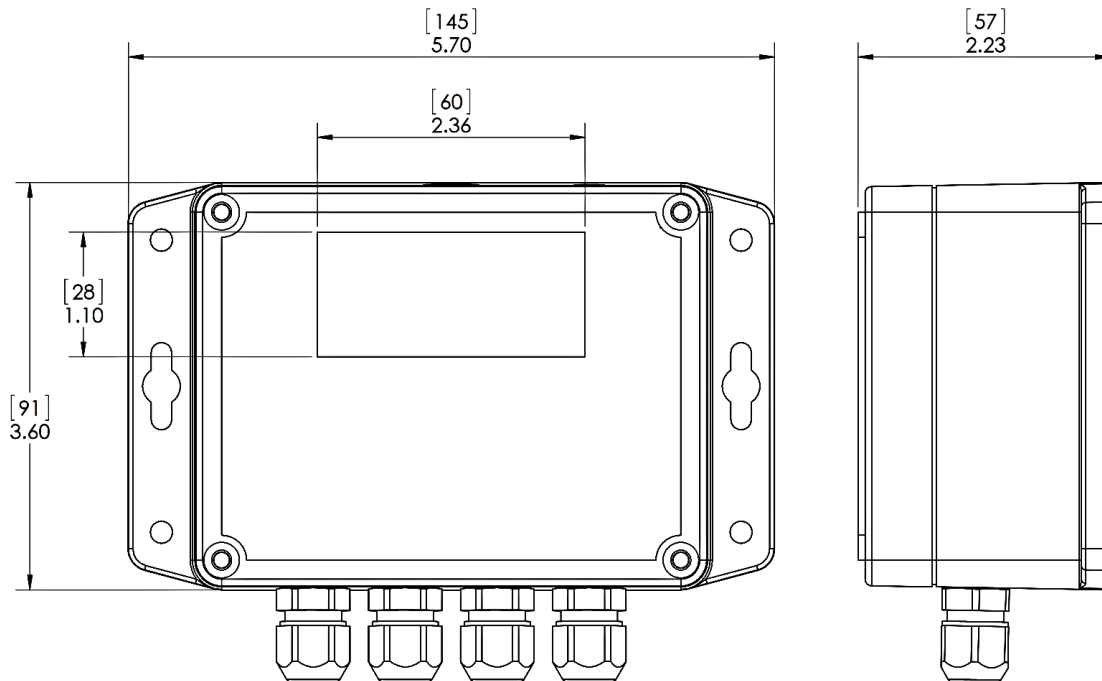


WISE TELEMETRY



All dimensions in inches [millimeters]

Communication Box without Screen



All dimensions in inches [millimeters]

Communication Box with Screen