



WISE TELEMETRY

The Elite Series

Differential Pressure Transducer

The Elite series differential pressure transducer is ideal for measuring the fill level of bulk tanks, liquid trailers, and microbulk tanks. The sensor has a 0-600" H₂O differential pressure full scale with a ±0.5% full scale accuracy (±3" H₂O).

Electrical output is analog 4-20mA. Made of durable stainless steel, the Elite series differential pressure transducer comes standard with female 1/4" NPT fittings with other threading styles available upon request. Applicable gases include nitrogen, carbon dioxide, helium, argon, and oxygen with oxygen cleaning available. Termination style is a 3 foot long cable with other lengths available upon request.

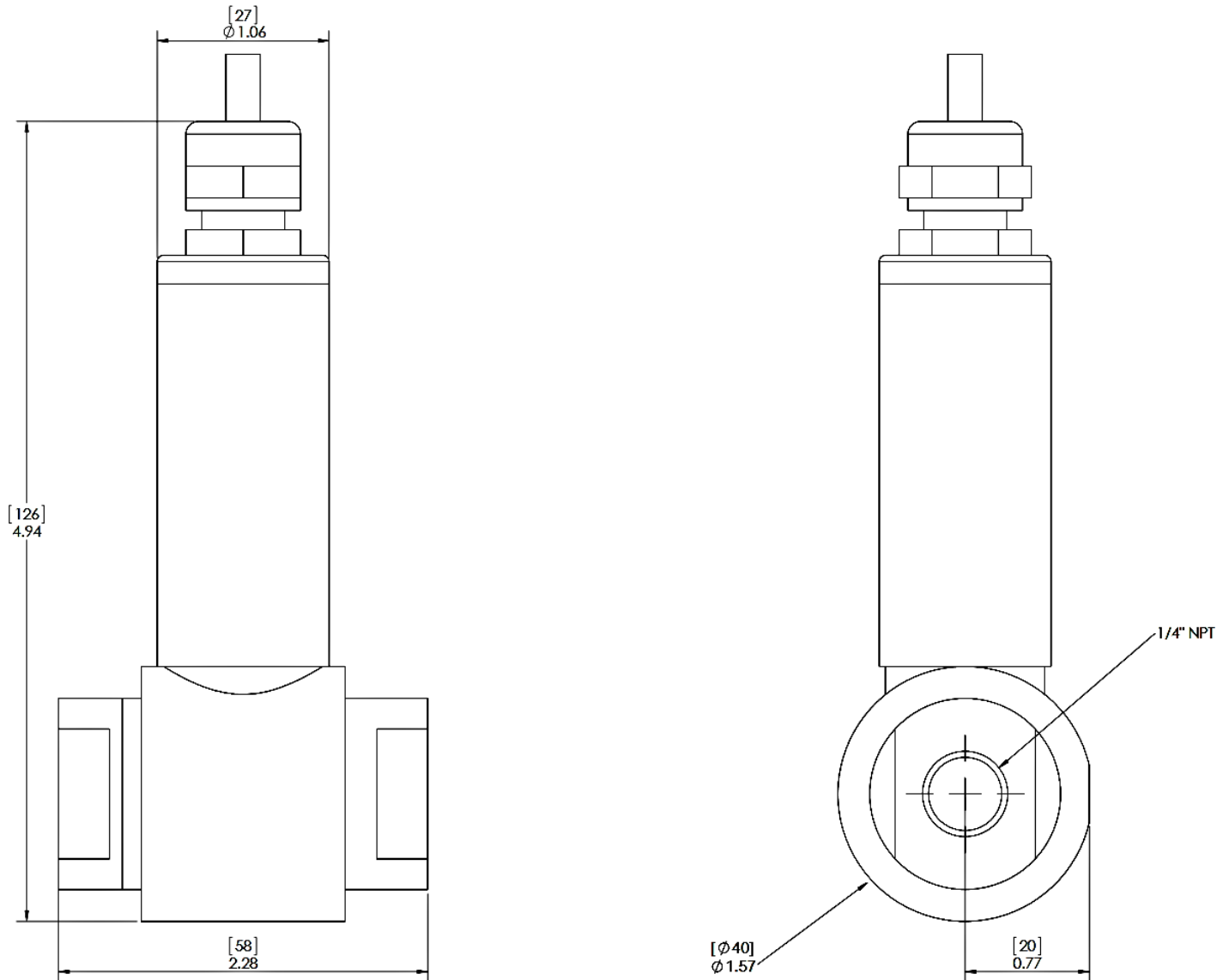


General Specifications

- Applicable gases.....N₂, CO₂, He, Ar, O₂
- Oxygen cleaning.....Available
- Differential pressure range.....0-600" H₂O
- Accuracy.....±0.5% F. S.
- Output style.....4-20mA
- Standard thread size.....Female 1/4" NPT (other sizes available)
- Cable length.....3 ft



WISE TELEMETRY



All dimensions in inches [millimeters]

The Elite Series Differential Pressure Transducer